

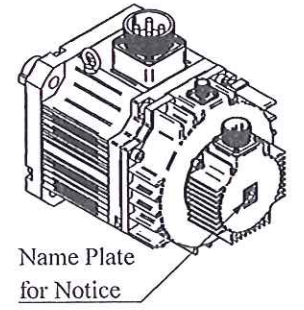
Model: JSMA-PIH30ABAB

No.	Item	Symbol	Unit	Specification	No.	Item	Symbol	Unit	Specification
1	Drive	-	-	3 $\phi$ 220 VAC	13	Rotor Inertia	Jm	kg-cm <sup>2</sup>	42.36 $\pm$ 10%
2	Cooling Method	-	-	Totally Enclosed	14	Rated Power Rate	Q-R	Kw/s	86.12
3	Exciting Method	-	-	Permanent Magnet	15	Resistance	Ra	$\Omega$	0.275 $\pm$ 10%/2 $\phi$
4	Resolution	-	-	2500 C/T	16	Inductance	L	mH	6.8 $\pm$ 10% / 2 $\phi$
5	Rated Output	P-R	KW	3	17	Mech. Time Constant	Tm	ms	1.12 $\pm$ 10%
6	Rated Torque	T-R	N-m	19.1	18	Elect. Time Constant	Te	ms	24.69 $\pm$ 10%
7	Max. Torque	T-max	N-m	47.75	19	Insulation Class	-	-	Class F
8	Rated Speed	N-R	rpm	1500	20	Operation Temp.	T	$^{\circ}$ C	0~40
9	Rated Current	I-R	A	16.0	21	Operation Humd.	RH	%	<80
10	Max. Current	I-max	A	40	22	Storage Temp.	T	$^{\circ}$ C	-20~-60 $^{\circ}$
11	Torque Constant	Kt	N-m/A	1.19 $\pm$ 10%	23	Storage Humd.	RH	%	<80
12	Voltage Constant	Ke	V/krpm	79.3 $\pm$ 10%/2 $\phi$	24	Weight	W	kgw	21.0

PIN	Signal
B	+5V
I	0V
A	A / U
C	$\bar{A}$ / $\bar{U}$
H	B / V
D	$\bar{B}$ / $\bar{V}$
G	Z / W
E	$\bar{Z}$ / $\bar{W}$
F	FG

Pin	Signal
A	U
B	V
C	W
D	FG

Pin	Signal
A	0
B	24V
C	



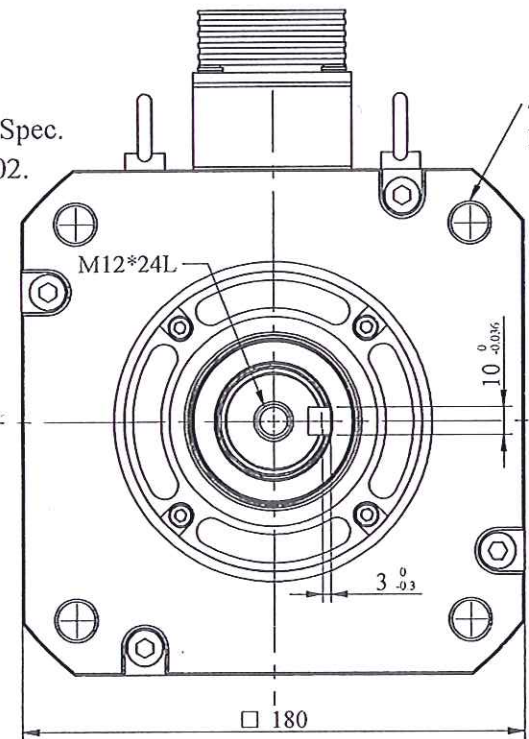
Encoder Wiring

Motor Wiring

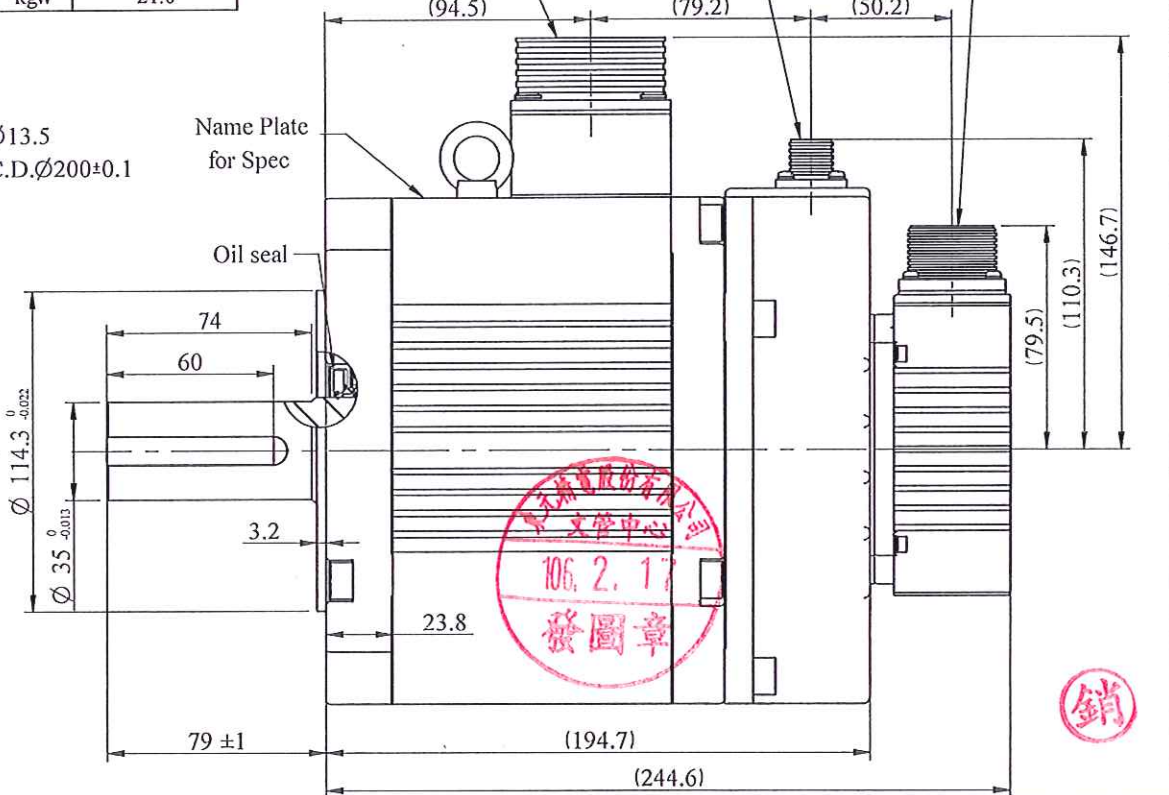
Brake Wiring

Name Plate for Notice

NOTE:  
 1. Motor to be IP67 (excluding the connectors)  
 2. The detail of Name plate for Spec. refers to the file. DC-JXE-002.



Name Plate for Notice



STANDARD TOLERANCE		APVD	SCALE	UNIT	m m	NAME	Servo Motor Outline Drawing		
X	$\pm$ 0.5	CHKD	3RD .A.P			TITLE	JSMA-PIH30ABAB		
.X	$\pm$ 0.2	CHKD							
.XX	$\pm$ 0.05	DWN	Sam	02-07-17			Dept. Design	DWG.NO.	D01B18302H3BTAC01
ANGLE	$\pm$ 30'	SIGNATURE	DATE						

